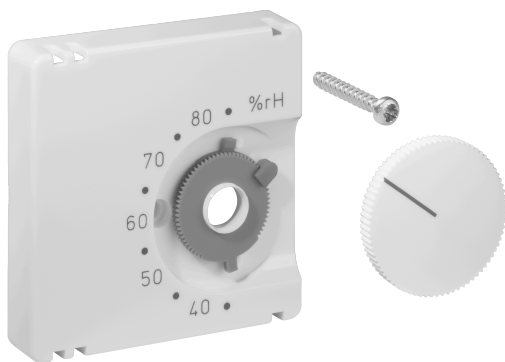


## Data Sheet JZ-021.000

Article number: UN990039

Cover set for room humidistat FHY, 50 x 50, pure white (RAL9010), glossy

The flush-mounted devices from alre fit into all standard switch ranges in conjunction with the corresponding cover set (cover) and intermediate frame. The modular principle (alre basic device + alre cover set 50 x 50 mm + intermediate frame from the switch manufacturer + frame from the switch manufacturer) and various colors (RAL 9010 pure white glossy/matt, RAL 1013 cream white glossy, RAL 9016 traffic white glossy/matt) enable perfect visual integration into your preferred switch range.



Scannable symbol/barrier-free	No
Logo/labelling	other labelling
Design	central plate
Colour	pure white
RAL colour number (similar)	9010
Suitable for bus system button connection	No
Halogen-free	Yes
Inspection window/light outlet	No
Housing material	plastic PC

With interchangeable lens/symbol	No
With labelling box	No
Mounting/attachment	screw fastening
Surface finish	gloss
Surface protection	untreated
Protection class	IP30
Use	other
Material quality	PC
Dimensions (W x H x D)	50 mm x 50 mm x 11 mm



	a x b
JZ-xxx.0xx	50 x 50 mm
JZ-xxx.1xx	55 x 55 mm
JZ-xxx.2xx	55 x 55 mm
JZ-xxx.3xx	63 x 63 mm
JZ-xxx.4xx	70 x 70 mm